

SENCOR®

SCS WA1203

ACTIVE SUBWOOFER
AKTIVNÍ SUBWOOFER
AKTÍVNY SUBWOOFER
AKTÍV SUBWOOFER
AKTYWNY SUBWOOFER

USER'S GUIDE
NÁVOD K OBSLUZE
NÁVOD NA OBSLUHU
HASZNÁLATI ÚTMUTATÓ
INSTRUKCJA OBSŁUGI

EN CZ SK HU PL

IMPORTANT SAFETY INSTRUCTIONS

Please, read the whole manual before installation, turning on and setup of the amplifier – it contains important information for the best and safest use of all its features and functions. Keep the manual in a safe place, accessible to the user of the amplifier in case of need.

- **If you sell this vehicle**, including the amplifier, pass this manual on to the new owner.
- **Improper installation** – Improper installation may cause damage to the equipment or the vehicle! The installation requires special knowledge and skills. We recommend therefore that you have this equipment installed in a specialized service centre.
- **Risk of injury** – Improper installation may cause injuries or disable the safety system in the event of a car accident. Follow the instructions in this manual!
- **Traffic safety violation** – Inattention may cause dangerous traffic situations. You have to pay close attention to traffic even when listening to loud music.
- **Damage to the airbag** – If you select an unsuitable location for installation, the airbag may be damaged or its function limited. Place the components outside of the reach of the airbags!
- **Damage to the insulation** – Damaged insulation may cause damage to the amplifier. Laid cables have to be free of tension. Install the cables in such a way they are not pinched or do not rub on anything.
- **Damage caused by reversed polarity or a short circuit** – Wrongly connected cables or a short circuit may cause serious damage to the equipment. It is absolutely necessary to disconnect the car battery before you start with the installation.
- **Damage to important parts of the vehicle** – You may damage important parts of the vehicle or wiring when drilling holes for fastening or inserting self-drilling screws. Ensure sufficient space behind the holes for screws and drilled holes!

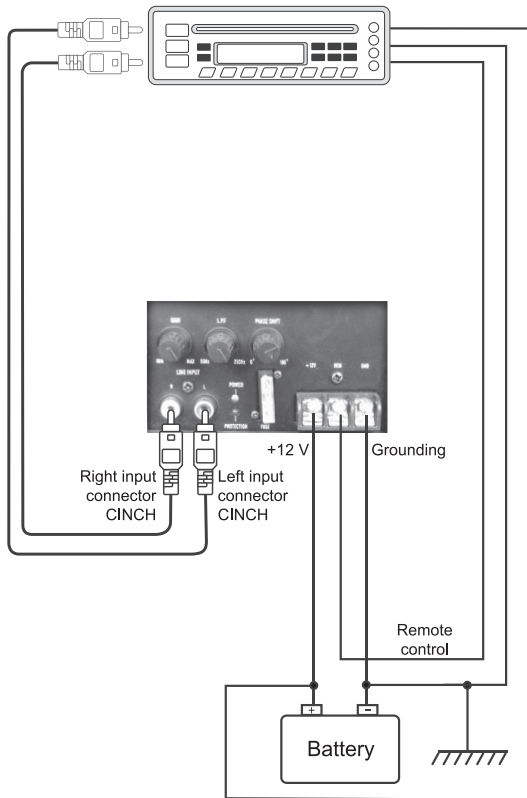
- **Effecting on-board electronics** – In spite of strong protection against emissions, the on-board electronics may be effected by inexpert installation. Follow the vehicle manufacturer's instructions!
- **Designation for proper use** – This equipment is designed solely for use in motor vehicles.
- **Damage caused by incorrect spare parts** – Incorrect spare parts and wrong spare components may lead to malfunctions. Use only original parts.
- **Traffic safety violation** – for the sake of your own safety, do not attempt any connections while driving!

Important notes:

Pay attention when selecting the location of the amplifier in the vehicle. The selected location must meet the following requirements:

- it has to be protected against rain, spraying or spilling any liquid;
- good air circulation around the amplifier is necessary – it dissipates the heat generated by the amplifier;
- the selected location must be protected against shocks and vibrations.

CONNECTION DIAGRAM



Connecting the power cord

Note:

Due to high performance, a very strong current runs through this device, therefore correct connection of the electrical wiring of the power cord is very important.

1. Connect the red wire directly to the (+) terminal of the battery, using the supplied cable with the fuse holder.
2. After removing paint, connect the black wire firmly to the appropriate screw on the metal part of the vehicle for proper grounding.
3. Correct connection ensures clear audio.

Cable not included.

Connecting cable for remote on/off

1. Connect the orange wire to the appropriate wire of the car radio. It is usually blue, and it is marked by "ANT" or "REM" symbols. It is necessary to check the information in your car radio operating manual.

Connection for external input

1. Connect the wires of the external input connector to the RCA type of connector as follows:
 - WHITE to the left channel of the car radio
 - RED to the right channel of the car radio

Setting the input sensitivity

1. Set the input sensitivity according to the output of the connected car radio.

Technical specifications

12" Active Subwoofer

300 mm Black Paper and Non-press Cone
Fine Quality NBR Rubber-Edge
Round High Density Paper Tube
With High Power and Low Distortion Amplifier
Woofer Diameter 30 cm (12")
Max. Peak Output Power 600 W
Max. RMS Power Output 300 W
THD <0,5 %
Full Frequency Range 25–3000 Hz \pm 1.0 dB
Frequency Low Pass 50–250 Hz \pm 1.5 dB
Adjustable Low Pass Filter
Input Sensitivity 0,15–6 V
Speaker Impedance 4 Ω
Stereo RCA Input Connectors
Dimensions (W \times H \times D): 455 \times 347 \times 365 mm

Changes of design and technical specification are subject to change without notice.
The original version is in Czech.
Manufacturer address: FAST ČR, a.s., Černokostelecká 1621, CZ-251 01 Říčany

Instructions and information regarding the disposal of used packaging materials

Dispose of packaging material at a public waste disposal site.

Disposal of used electrical and electronic appliances



The meaning of the symbol on the product, its accessory or packaging indicates that this product shall not be treated as household waste. Please, dispose of this product at your applicable collection point for the recycling of electrical & electronic equipment waste. Alternatively in some states of the European Union or other European states you may return your products to your local retailer when buying an equivalent new product.

The correct disposal of this product will help save valuable natural resources and help in preventing the potential negative impact on the environment and human health, which could be caused as a result of improper liquidation of waste. Please ask your local authorities or the nearest waste collection centre for further details. The improper disposal of this type of waste may fall subject to national regulations for fines.

For business entities in the European Union

If you wish to dispose of an electrical or electronic device, request the necessary information from your seller or supplier.

Disposal in other countries outside the European Union

If you wish to dispose of this product, request the necessary information about the correct disposal method from local government departments or from your seller.



This appliance complies with EU rules and regulations regarding electromagnetic and electrical safety.

Changes to the text, design and technical specifications may occur without prior notice and we reserve the right to make these changes.

SENCOR®

EN Warranty conditions

Warranty card is not a part of the device packaging.

This product is warranted for the period of 24 months from the date of purchase to the end-user. Warranty is limited to the following conditions. Warranty is referred only to the customer goods using for common domestic use. The claim for service can be applied either at dealer's shop where the product was bought, or at below mentioned authorized service shops. The end-user is obligated to set up a claim immediately when the defects appeared but only till the end of warranty period. The end user is obligated to cooperate to certify the claiming defects. Only completed and clean (according to hygienic standards) product will be accepted. In case of eligible warranty claim the warranty period will be prolonged by the period from the date of claim application till the date of taking over the product by end-user, or the date the end-user is obligated to take it over. To obtain the service under this warranty, end-user is obligated to certify his claim with duly completed following documents: receipt, certificate of warranty, certificate of installation.

This warranty is void especially if apply as follows:

- Defects which were put on sale.
- Wear-out or damage caused by common use.
- The product was damaged by unprofessional or wrong installation, used in contrary to the applicable instruction manual, used in contrary to legal enactment and common process of use or used for another purpose which has been designed for.
- The product was damaged by uncared-for or insufficient maintenance.
- The product was damaged by dirt, accident of force majeure (natural disaster, fire, and flood).
- Defects on functionality caused by low duality of signal, electromagnetic field interference etc.
- The product was mechanically damaged (e.g. broken button, fall).
- Damage caused by use of unsuitable media, fillings, expendable supplies (batteries) or by unsuitable working conditions (e.g. high temperatures, high humidity, quakes).
- Repair, modification or other failure action to the product by unauthorized person.
- End-user did not prove enough his right to claim (time and place of purchase).
- Data on presented documents differs from data on products.
- Cases when the claiming product cannot be identified according to the presented documents (e.g. the serial number or the warranty seal has been damaged).

Authorized service centers

Visit www.sencor.eu for detailed information about authorized service centers.