

**SENCOR®**

Let's live!

**BLUETOOTH SPEAKER  
SSS 6800**

**USER'S MANUAL  
EN**



## Table of Contents

Safety Instructions.....	3
Supply content.....	6
Description of the BT speaker.....	6
Putting into operation.....	7
Charging.....	8
LED indicators.....	9
Pairing devices via Bluetooth.....	10
TWS function.....	10
Power bank feature.....	11
Audio AUX-IN.....	11
Play/Pause button.....	12
Volume and track playback control.....	13
Ingression protection (IPX6).....	13
Technical specifications.....	14
INSTRUCTIONS AND INFORMATION ABOUT THE DISPOSAL OF DISCARDED PACKAGE.....	15
DISPOSAL OF DISCARDED ELECTRICAL AND ELECTRONIC EQUIPMENT.....	15

## Safety Instructions

This product has been designed with the utmost safety in mind. However, incorrect use may lead to electric shock or fire. This is why users should observe the following instructions when using this device.

This device uses a semiconductor unit and contains no user serviceable parts. Do not disassemble this device, otherwise you are exposed to the risk of electric shock. If any damage to this product occurs, please have this product repaired by a qualified service technician.

### Power source

Power supply of this unit must be match the serial plate data.

### Heat source

Keep this unit out of heat sources like stove or direct sunlight.

### Cleaning

Prior to cleaning, please disconnect power first. For cleaning, don't use liquid detergents or caustic liquids - just clean the unit with a soft cloth.

### Heavy objects

Do not place heavy objects on the unit, otherwise damage might occur.

## Connecting other devices

Before connecting other devices to this unit, please make sure to disconnect power. Otherwise damage to the unit or personal injury might occur.

## Faults to be repaired

If any of the following problems occurs, please disconnect power to the unit and contact a qualified service technician.

- A. Power cord or plug is damaged.
- B. Liquids or other foreign objects have penetrated inside the product.
- C. If the unit does not work even if it's being operated according to the instructions, don't press any buttons other than those described in these instructions. Otherwise, damage to this unit may occur along with a more demanding repair.
- D. This unit has fallen on the ground from a big height.
- E. Burns can be smelled from the product inside.

## Maintenance

If you don't have enough technical knowledge necessary to maintain this unit, don't attempt to repair it by yourself. By removing cover, you are exposed to a risk of electric shock. If needed, please contact a qualified service technician.

## Replacement of parts

If you need to replace any part of this unit, ask your service technician to make a replacement for equal spare part models. If other spare part models are used for replacement, serious damage, electric shock or shortening the unit's lifetime may occur.

**Safety check**

When done with the maintenance, ask your service technician to perform an on-site safety check to make sure that the unit's operation is safe.

**Note:**

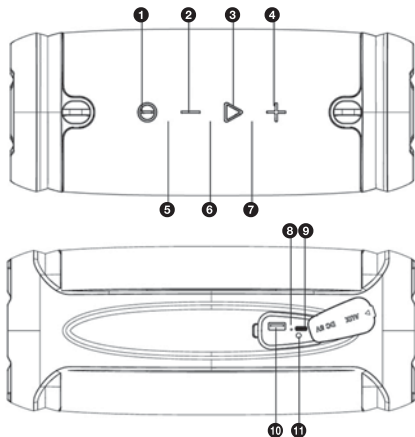
Before using this product, read these instructions carefully and keep it well for future use.

## Supply content

Supplied package contents:

- BT speaker
- 3.5 mm audio jack
- USB-C charging cable
- Detachable strap
- User's manual

## Description of the BT speaker



- 1 Power on/off button  
Battery charging status display  
Source switching (Bluetooth/AUX-IN)
- 2 „-“/Volume down/previous track button
- 3 “Play/Pause” button  
Call answer/reject/hang up/redial  
Indoor/outdoor mode change
- 4 „+“/Volume up/next track button
- 5 Bluetooth connection LED indicator
- 6 Battery charging level LED indicator
- 7 Microphone
- 8 Reset button
- 9 Charging socket (USB-C)
- 10 USB port
- 11 AUX-IN mini jack (3.5mm) socket

## Putting into operation

Before first use, be sure to read the safety instructions contained in this user's manual carefully.

Before first use, please charge the BT speaker to a maximum level. Hold down the power On button to turn on the BT speaker. Turning on/off is indicated by a sound signal. To turn the BT speaker off, hold down the power On button.

### Note:

In case of any problems with turning the device off please use the Reset button at the speaker's rear (use a thin object such as an office clip's tip to press it for 2 seconds).

**Caution:**

After a longer period of inactivity, the appliance will turn itself off.

## Charging

A charged battery provides power for several hours of operation at normal volume levels. A high volume consumes more battery power; therefore, we recommend listening at normal volume levels. To charge the BT speaker, please connect the charging adapter to the mains and then to the BT speaker.

**Caution:**

For charging, use only the original accessories supplied with the appliance. To achieve the maximum battery lifetime, it is best to start charging the battery after the low battery power notification by the LED indicator. Charge continuously until fully charged. If the battery operation time becomes very short, the battery lifetime has come to an end and we recommend to have the battery replaced in an authorized service.

**Recommendation:**

If the unit is not to be used for an extended period of time, we recommend to fully charge the battery once every two to three months. We recommend to store the unit with a the battery charged to prevent irreparable damage to the battery (loss of capacity).

## LED indicators

The Bluetooth connection LED indicator shows the following speaker conditions:

- **Flashing blue** - The device is ready to be paired via Bluetooth, no audio source is connected
- **Solid blue** - The BT speaker is paired to another device via Bluetooth
- **Solid green** - Audio jack is connected to the device

The battery level LED indicator shows the following conditions while the charging is in progress:

- **Red indication** - The device is discharged (<10% battery level)
- **Single white LED** - The battery is charged to 30%
- **Two white LEDs** - The battery is charged to 30–70%
- **Three white LEDs** - The battery is charged to 70–100% (the ongoing charging is indicated by flashing LED, the LEDs will light steadily when the charging is finished)

**Note:**

To check the charging level while the BT speaker is powered off, press the Power on button shortly.

## Pairing devices via Bluetooth

Turn on the BT speaker and search for its Bluetooth name "SSS 6800" in the device to which you wish to pair and start the pairing process. If you are requested to enter a pairing code while your device and the BT speaker are pairing, use the code: "0000". To disconnect a paired device, press "+" (volume up) and "-" (volume down) buttons simultaneously, until the LED indication on the device has changed. The BT speaker remembers the last 8 paired units to which it will connect upon powering up.

**Note:**

To ensure a stable Bluetooth connection, make sure that the distance between the BT speaker and your connected device is kept within 10m. If an AUX-IN cable is connected to the BT speaker, please select the Bluetooth playback mode by pressing the Power on button.

**Caution:**

Some connected devices support common volume setting. If some of the connected devices do not support this feature, the volume setting will operate separately on each device.

## TWS function

If you buy another Bluetooth speaker („SSS 6800“), you can pair both speakers together for optimum stereo sound. First, make sure your device is not connected to any BT speaker.

Place the BT speakers near each other (no more than 10m apart) and turn them on. Press the Power on button on one of the BT speakers twice to select the master BT speaker (left channel) and wait until the speakers pair to each other automatically. The blue-green indicator stops flashing and once the BT speakers are paired, the master BT speaker (left channel) will be marked by slowly flashing blue indication. Use the volume control buttons to change the level automatically on both paired BT speakers. Pressing and holding down the volume control buttons ( "+" and "-" ) simultaneously on one of the BT speakers will interrupt the TWS connection.

**Note:**

If the BT speakers fail to be paired successfully to transfer stereo sound, turn all engaged units off and then on again.

## Power bank feature

The BT speaker can be used as a power bank to charge other portable devices. Lift the protective cover of the BT speaker's rear jacks and connect your portable device's charging cable to the USB port. The charging is performed automatically while the BT speaker is turned on. To enable the Power bank feature in a discharged BT speaker, press the Power on button shortly.

## Audio AUX-IN

The BT speaker is equipped with a 3.5mm jack. Your device can be connected to the BT speaker via the supplied audio cable. First connect the audio plug to your device and then to the BT speaker's jack.

**Caution:**

Before connecting your device to the BT speaker, please make sure that the output signal from your device is set to its minimum (minimum output volume). This will prevent the BT speaker from damage. When the BT audio cable is connected, the speaker does not meet the IPX6 protection class and is not water-resistant.

**Note:**

In this mode, not all functions of the BT speaker are available. The Bluetooth feature is not automatically enabled if an audio jack is connected to the BT speaker.

## Play/Pause button

- Press the Play/Pause button to start or pause music playback during the Bluetooth connection.
- An incoming call to a paired device connected via Bluetooth will be accompanied by an acoustic signal, interrupting the music playback. To answer/hang up an incoming call, press the Play/Pause button briefly. To reject incoming call, long press and hold the button. Press and hold down the button to redial the last number (the call will be made via the connected device).
- Press the Play/Pause button shortly twice to switch between Indoor and Outdoor playback modes.

**Note:**

The reception of the BT speaker's microphone may be attenuated due to the device's water resistance. To improve the reception, please speak loud and in the vicinity of the BT speaker.

## Volume and track playback control

To control the BT speaker's volume (+/-), use the buttons on the BT speaker. During music playback, you can press and hold the "+" button to jump to the next track playback. To select the previous track, press and hold the "-" button.

## Ingression protection (IPX6)

The unit has an increased water protection class. The IPX6 protection class will protect the device against jets of water.

**Caution:**

Remember to always seal the BT speaker's inputs (No. 8–11 on "BT speaker description" figure) with the original sealing plug and make sure that the plug is not damaged. Never charge the unit during possible contact with fluids. The unit is designed for contact with clean water only without any additives. Avoid exposing the unit to contaminated or industrially treated fluids (such as lemonade, sea/salt water, oils, etc.).

## Technical specifications

### Features

Waterproof Speaker with IPX6 Protection  
Premium Fabric Speaker Cover  
TWS Function (True Wireless Stereo)  
LED Status Indicator (Connection/Battery Status)  
Powerbank Function

### Sound

Maximum Speaker Power 60W  
Total Power Output (RMS) 50W  
4 Speakers (2 Bass & Mid-Range, 2 Tweeters)  
+ 2 Passive Radiators  
Digital Sound Processor DSP  
Frequency Response: 40Hz - 16KHz  
Total Harmonic Distortion:  $\leq 1\%$

### Inputs

Bluetooth Audio 4.2  
Connection Distance up to 15m  
Audio Aux Input (3.5mm stereo Jack)

### Others

Textile Strap for Easy Handle  
Handsfree Function  
Built-in Rechargeable Battery: 10 000mAh Li-Ion  
Playback Time up to 13 Hours (50% Volume)  
USB-C Charging  
Charging Time max 6 Hours  
Accessories: USB Charging Cable, 3.5mm Aux Cable,  
Textil Strap, User Manual  
Dimension: 320 x 134 x 134mm  
Weight: 2 600g

### Bluetooth

Version: 4.2  
Maximum performance of wireless transmitter:  
100mW at 2,4GHz - 2,4835GHz

## INSTRUCTIONS AND INFORMATION ABOUT THE DISPOSAL OF DISCARDED PACKAGE

Return the packaging to a collection centre for disposal.

## DISPOSAL OF DISCARDED ELECTRICAL AND ELECTRONIC EQUIPMENT



This symbol placed on the product, accessories or package notifies that the product must not be treated as household waste. Please dispose of this product in a collection centre designed for recycling electric and electronic equipment. In some EU or European countries, you can return your products to your local dealer when buying a new equivalent product. Proper disposal of this product helps save valuable natural resources and prevents possible adverse impacts on the environment and human health that might be caused by improper waste disposal. For further information, please contact your local authorities or the nearest waste disposal collection centre. Wrong disposal of this type of waste may be subject to a legal penalty.

### For EU companies

If you need to dispose of an electric or electronic device, ask your dealer or supplier for necessary information.

### Disposal in countries outside the European Union

To dispose of this product, please ask the ministry or your dealer for the necessary information on correct disposal.



The product meets the respective EU requirements.

FAST ČR, a.s. hereby declares that the radio equipment type SSS 6800 conforms to the 2014/53/EU Directive.

For full version of the EU declaration of conformity, please refer to [www.sencor.eu](http://www.sencor.eu) website.

Changes in the text, design and technical specifications may be made without prior notice and we reserve the right to make such changes.

The original version is in Czech.

Address of the manufacturer: FAST ČR, a.s., Černokostelecká 1621, Říčany CZ-251 01

## EN Warranty conditions

**A warranty card is not included with this product.**

This product is warranted for the period of 24 months from the date of purchase to the end-user. Warranty is limited to the following conditions. Warranty is referred only to the customer goods using for common domestic use. The claim for service can be applied either at dealer's shop where the product was bought, or at below mentioned authorized service shops. The end-user is obligated to set up a claim immediately when the defects appeared but only till the end of warranty period. The end user is obligated to cooperate to certify the claiming defects. Only completed and clean (according to hygienic standards) product will be accepted. In case of eligible warranty claim the warranty period will be prolonged by the period from the date of claim application till the date of taking over the product by end-user, or the date the end-user is obligated to take it over. To obtain the service under this warranty, end-user is obligated to certify his claim with duly completed following documents: receipt, certificate of warranty, certificate of installation.

**This warranty is void especially if apply as follows:**

- Defects which were put on sale.
- Wear-out or damage caused by common use.
- The product was damaged by unprofessional or wrong installation, used in contrary to the applicable instruction manual, used in contrary to legal enactment and common process of use or used for another purpose which has been designed for.
- The product was damaged by uncared-for or insufficient maintenance.

- The product was damaged by dirt, accident of force majeure (natural disaster, fire, and flood).
- Defects on functionality caused by low duality of signal, electromagnetic field interference etc.
- The product was mechanically damaged (e.g. broken button, fall).
- Damage caused by use of unsuitable media, fillings, expendable supplies (batteries) or by unsuitable working conditions (e.g. high temperatures, high humidity, quakes).
- Repair, modification or other failure action to the product by unauthorized person.
- End-user did not prove enough his right to claim (time and place of purchase).
- Data on presented documents differs from data on products.
- Cases when the claiming product cannot be identified according to the presented documents (e.g. the serial number or the warranty seal has been damaged).

### **Authorized service centers**

Visit [www.sencor.eu](http://www.sencor.eu) for detailed information about authorized service centers.



**SENCOR®**

Let's live!

Designed in Europe by Sencor®, Made in China

[www.sencor.cz](http://www.sencor.cz)

